

LUX-top® ASP EV 9 Ø18

for attaching to trapezoidal profiles



MOUNTING SURFACE:

- steel trapezoidal profiles min. $t = 0,75$ mm
for $165 > h \leq 206$ mm



FIXING MATERIAL:

- 4 pcs. toggle bolt M8 (A2)



MATERIAL:

- Stainless steel W1.4301 / AISI 304
- Corrosion resistance class CRC II to EN 1993-1-4



CERTIFICATION/APPROVAL:

- Type Examination Certificate to EN 795 type A, certificate
no. ZP/B225/19



USERS:

- max. 3 users



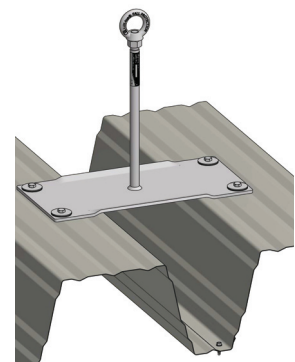
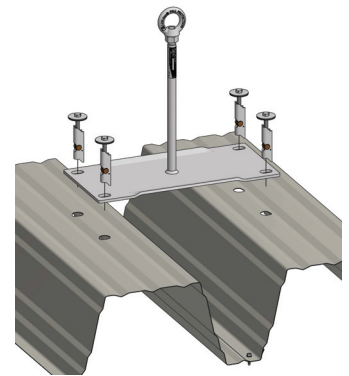
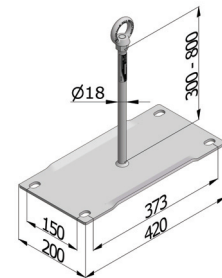
POSSIBLE COMBINATIONS:

- combination with temporary horizontal anchor device
- intermediate point in LUX-top® FSE 2003 stainless steel rope
system
- anchor point can be extended up to 400 mm with
LUX-top® Extension Ø18



PRODUCT HIGHLIGHTS:

- fastest installation
- also suitable for acoustic profiles



You can find further information here: 

www.lux-top-absturzsurenungen.de/en/asp-ev9